

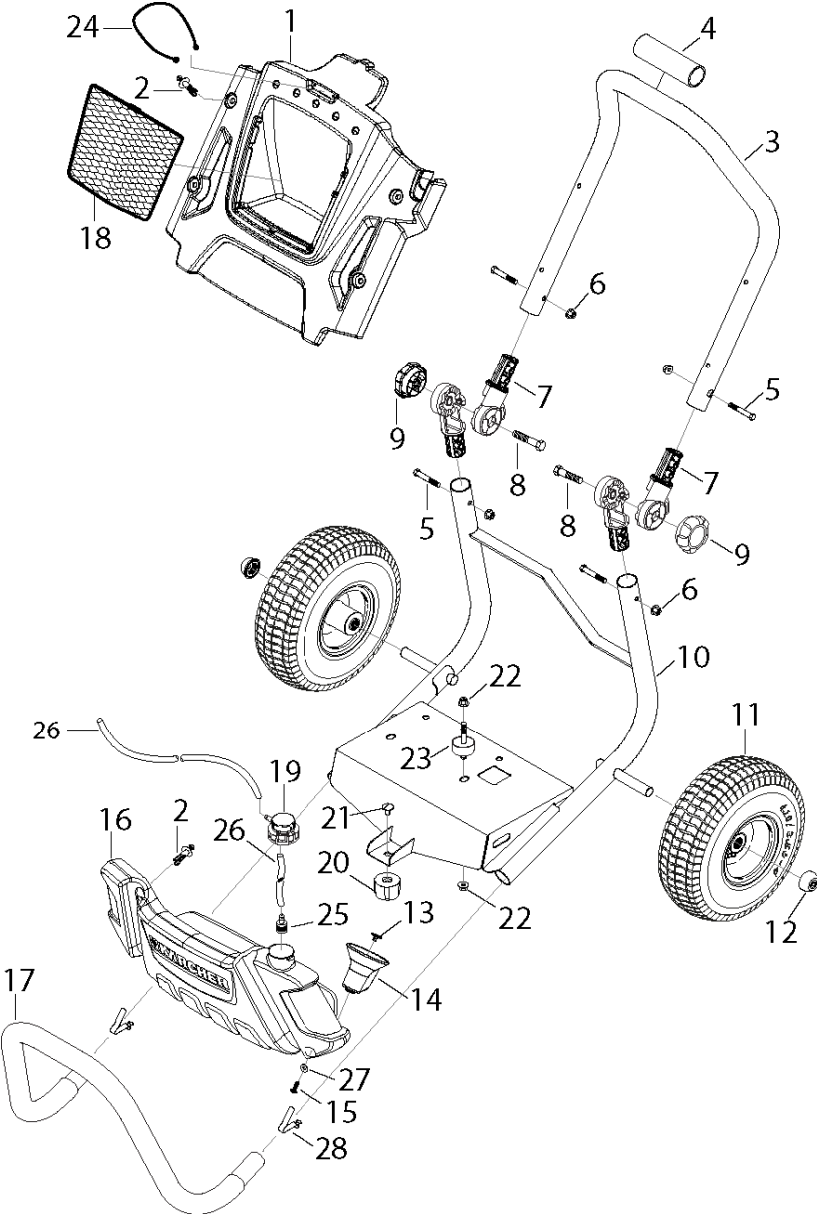
Spare parts list
(8.919-113.0) SPARE PART LIST EXPERT SERIES (Loncin)

Table of contents

| | |
|---|----|
| SPARE PART LIST EXPERT SERIES (Loncin) (8.919-113.0) | 6 |
| 10 FRAME..... | 7 |
| 20 PUMP SET..... | 10 |
| 21 CYLINDER HEAD (8.921-430.0)..... | 11 |
| 9 Spare part set chemistry (2.883-862.0)..... | 13 |
| 10 Drain plug only for replacement (4.132-007.0)..... | 14 |
| 11 Valve (3 Stück) (2.884-916.0)..... | 16 |
| 22 PISTON (8.921-431.0)..... | 18 |
| 30 MOTOR (8.921-433.0)..... | 20 |
| 31 MOTOR..... | 21 |
| 32 MOTOR..... | 23 |
| 33 TRANSMISSION..... | 26 |
| 40 ACCESSORIES (8.921-265.0)..... | 28 |

SPARE PART LIST EXPERT SERIES (Loncin) (8.919-113.0)

| Pos | Material # | Name | Qty. | Unit | Footnote text |
|-----|-------------|-------------|-------|------|-------------------------------|
| 10 | | FRAME | 1.000 | ST | ARTICLE ONLY AVAILABLE AT KNA |
| 20 | | PUMP SET | 1.000 | ST | ARTICLE ONLY AVAILABLE AT KNA |
| 30 | 8.921-433.0 | MOTOR | 1.000 | ST | ARTICLE ONLY AVAILABLE AT KNA |
| 40 | 8.921-265.0 | ACCESSORIES | 1.000 | ST | ARTICLE ONLY AVAILABLE AT KNA |



10 FRAME

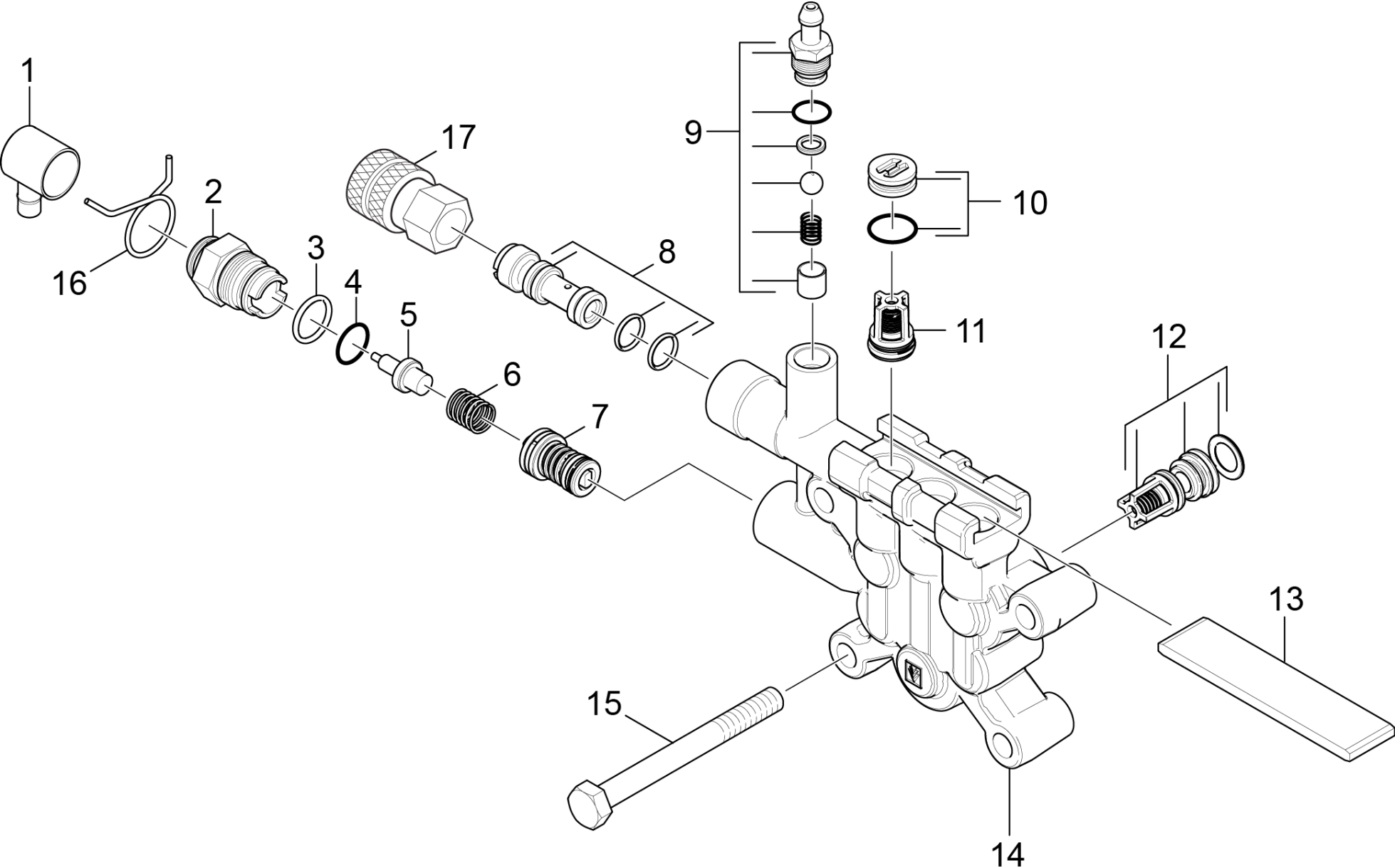
| Pos | Material # | Name | Qty. | Unit | from ser.nr. | Footnote text |
|-----|-------------|--|-------|------|--------------|-------------------------------|
| 1 | 8.750-849.0 | PLATE, STORAGE/NAME | 1.000 | ST | | ARTICLE ONLY AVAILABLE AT KNA |
| 2 | 8.920-483.0 | ASSY, ANCHOR RIVET W/ SCREW | 8.000 | ST | | ARTICLE ONLY AVAILABLE AT KNA |
| 3 | 8.919-089.0 | HANDLE, TITANIUM PAINTED | 1.000 | ST | | ARTICLE ONLY AVAILABLE AT KNA |
| 4 | 8.750-848.0 | Foam grip, black | 1.000 | ST | | ARTICLE ONLY AVAILABLE AT KNA |
| 5 | 9.196-307.0 | 1/4-20 x 1-1/2 GR 2 HEX BOLT ZINC | 4.000 | ST | | ARTICLE ONLY AVAILABLE AT KNA |
| 6 | 9.197-010.0 | 1/4-20" Nylon Insert Lock Nut with Flang | 4.000 | ST | | ARTICLE ONLY AVAILABLE AT KNA |
| 7 | 9.135-007.0 | ROTARY TUBE-JOINT | 4.000 | ST | | ARTICLE ONLY AVAILABLE AT KNA |
| 8 | 9.196-041.0 | HEX HEAD BOLT 3/8-16 X 1-3/4 | 2.000 | ST | | ARTICLE ONLY AVAILABLE AT KNA |
| 9 | 9.136-502.0 | KNOB | 2.000 | ST | | ARTICLE ONLY AVAILABLE AT KNA |
| 10 | 8.919-077.0 | FRAME, TITANIUM PAINTED | 1.000 | ST | | ARTICLE ONLY AVAILABLE AT KNA |
| 11 | 8.754-186.0 | QH WHEEL ASSY, 10" GRAY STEEL RIM W/TUB | 2.000 | ST | 102458 | ARTICLE ONLY AVAILABLE AT KNA |
| 12 | 9.182-506.0 | CAP BLACK PLASTIC,5/8"FASTENER | 2.000 | ST | | ARTICLE ONLY AVAILABLE AT KNA |
| 13 | 8.750-940.0 | Nut, Weld #10-32 | 1.000 | ST | | ARTICLE ONLY AVAILABLE AT KNA |
| 14 | 8.750-844.0 | HOLDER, WAND | 1.000 | ST | | ARTICLE ONLY AVAILABLE AT KNA |
| 15 | 8.750-845.0 | SCREW, #10-32 X 5/8" PH RH | 1.000 | ST | | ARTICLE ONLY AVAILABLE AT KNA |
| 16 | 8.750-843.0 | TANK, DETERGENT | 1.000 | ST | | ARTICLE ONLY AVAILABLE AT KNA |
| 17 | 8.919-085.0 | BUMPER, TITANIUM PAINTED | 1.000 | ST | | ARTICLE ONLY AVAILABLE AT KNA |
| 18 | 8.750-943.0 | NET, BUNGEE | 1.000 | ST | | ARTICLE ONLY AVAILABLE AT KNA |
| 19 | 4.063-807.0 | Cover tank cleaning agents | 1.000 | ST | | ARTICLE ONLY AVAILABLE AT KNA |
| 20 | 9.183-411.0 | Rubber buffer | 1.000 | ST | | ARTICLE ONLY AVAILABLE AT KNA |
| 21 | 9.196-308.0 | 5/16-18 X 1/2 CARRIAGE BOLT A307 BLK | 1.000 | ST | | ARTICLE ONLY AVAILABLE AT KNA |
| 22 | 9.802-778.0 | NUT, 5/16" WHIZ LOC FLANGE | 8.000 | ST | | ARTICLE ONLY AVAILABLE AT KNA |
| 23 | 8.750-847.0 | ISOLATOR, VIBRATION | 4.000 | ST | | ARTICLE ONLY AVAILABLE AT KNA |
| 24 | 8.750-942.0 | CORD, BUNGEE | 1.000 | ST | | ARTICLE ONLY AVAILABLE AT KNA |
| 25 | 5.731-652.0 | Filter with weight | 1.000 | ST | | ARTICLE ONLY AVAILABLE AT KNA |

10 FRAME

| Pos | Material # | Name | Qty. | Unit | from ser.nr. | Footnote text |
|--------------------------------------|-------------|-------------------------------------|-------|------|--------------|-------------------------------|
| 26 | 6.388-216.0 | Hose DN 5 | 2.000 | M | | ARTICLE ONLY AVAILABLE AT KNA |
| Position text: TO ORDER AS CUT GOODS | | | | | | |
| 27 | 8.750-852.0 | Washer, #10-32 Flat ASME (B18.22.1) | 1.000 | ST | | ARTICLE ONLY AVAILABLE AT KNA |
| 28 | 8.750-962.0 | SNAP, BUTTON | 2.000 | ST | | ARTICLE ONLY AVAILABLE AT KNA |

20 PUMP SET

| Pos | Material # | Name | Qty. | Unit | Footnote text |
|-----|-------------|---------------|-------|------|-------------------------------|
| 21 | 8.921-430.0 | CYLINDER HEAD | 1.000 | ST | ARTICLE ONLY AVAILABLE AT KNA |
| 22 | 8.921-431.0 | PISTON | 1.000 | ST | ARTICLE ONLY AVAILABLE AT KNA |

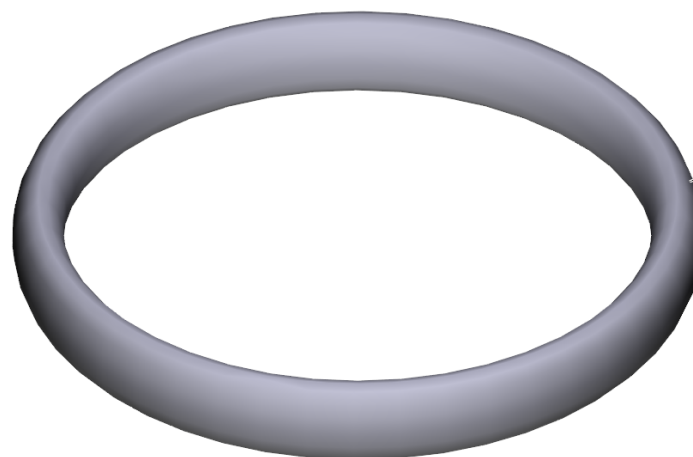
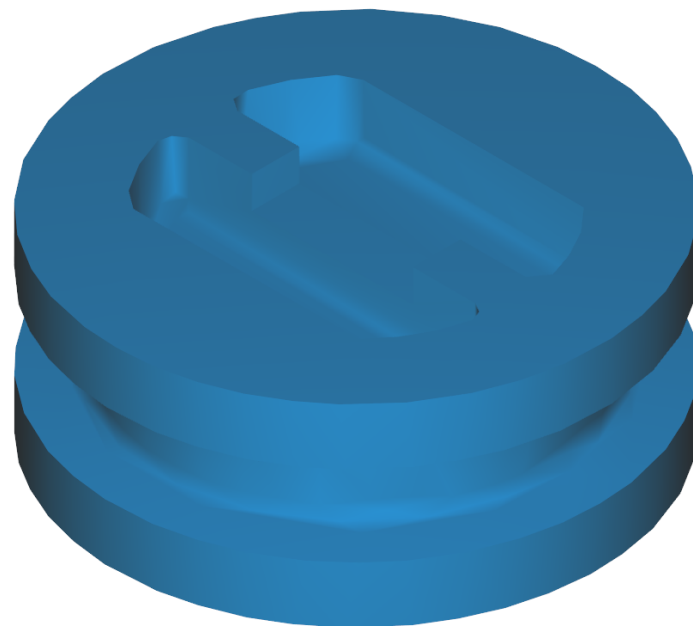


21 CYLINDER HEAD (8.921-430.0)

| ET/VT (spare/wear parts) | Pos | Material # | Name | Qty. | Unit | Footnote text |
|--------------------------|-----|-------------|---|-------|------|-------------------------------|
| | 1 | 8.752-076.0 | VALVE, THERMAL COVER-LONG | 1.000 | ST | ARTICLE ONLY AVAILABLE AT KNA |
| | 2 | 9.184-018.0 | Valve screw | 1.000 | ST | ARTICLE ONLY AVAILABLE AT KNA |
| | 3 | 6.362-480.0 | O-Ring seal 12,42x 1,78 | 1.000 | ST | ARTICLE ONLY AVAILABLE AT KNA |
| | 4 | 7.362-507.0 | O-Ring seal 8x2-NBR 90 DIN 3770 | 1.000 | ST | ARTICLE ONLY AVAILABLE AT KNA |
| | 5 | 6.413-403.0 | Therموالve 60° | 1.000 | ST | ARTICLE ONLY AVAILABLE AT KNA |
| | 6 | 5.332-290.0 | Helical spring | 1.000 | ST | ARTICLE ONLY AVAILABLE AT KNA |
| | 7 | 9.175-005.0 | Unloader Assembly | 1.000 | ST | ARTICLE ONLY AVAILABLE AT KNA |
| | 8 | 9.139-372.0 | SPARE PART LIST NOZZLE INS 020/021 PUMP | 1.000 | ST | ARTICLE ONLY AVAILABLE AT KNA |
| | 9 | 2.883-862.0 | Spare part set chemistry | 1.000 | ST | ARTICLE ONLY AVAILABLE AT KNA |
| X-X | 10 | 4.132-007.0 | Drain plug only for replacement | 3.000 | ST | ARTICLE ONLY AVAILABLE AT KNA |
| X-X | 11 | 2.884-916.0 | Valve (3 Stück) | 1.000 | ST | ARTICLE ONLY AVAILABLE AT KNA |
| | 12 | 9.139-376.0 | Valve 3 St. | 1.000 | ST | ARTICLE ONLY AVAILABLE AT KNA |
| | 13 | 5.003-062.0 | Plate | 1.000 | ST | ARTICLE ONLY AVAILABLE AT KNA |
| | 14 | 9.135-015.0 | Cylinder Head-Machined | 1.000 | ST | ARTICLE ONLY AVAILABLE AT KNA |
| | 15 | 7.304-098.0 | Hexagonal head screw M8x80-8.8-A2E ISO | 4.000 | ST | ARTICLE ONLY AVAILABLE AT KNA |
| | 16 | 8.752-032.0 | CLAMP, TENSION SPRING OD 11/16" | 1.000 | ST | ARTICLE ONLY AVAILABLE AT KNA |
| | 17 | 9.154-045.0 | Quick Connect | 1.000 | ST | ARTICLE ONLY AVAILABLE AT KNA |

9 Spare part set chemistry (2.883-862.0)

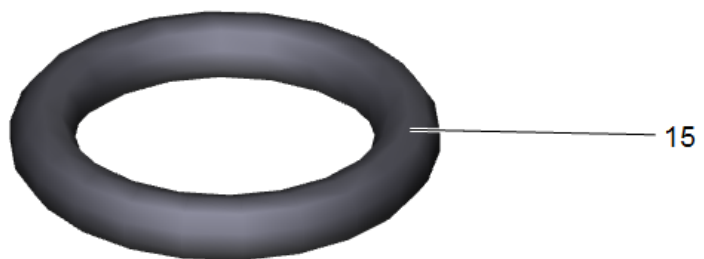
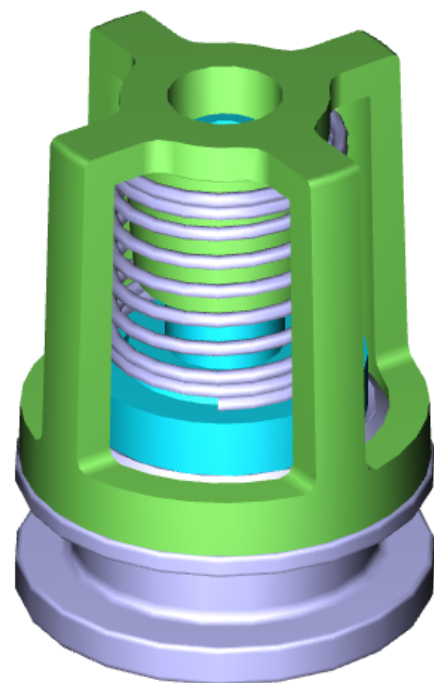
| Pos | Material # | Name | Qty. | Unit | from ser.nr. | up to ser.nr. |
|-----|-------------|-------------------------------|-------|------|--------------|---------------|
| 10 | 5.110-714.0 | Sleeve | 1.000 | ST | 0000000000 | 0000000000 |
| 20 | 5.332-258.0 | Helical spring | 1.000 | ST | 0000000000 | 0000000000 |
| 30 | 5.380-014.0 | Label | 1.000 | ST | 0000000000 | 0000000000 |
| 40 | 5.443-448.0 | Nipple chemistry | 1.000 | ST | 0000000000 | 0000000000 |
| 50 | 6.362-175.0 | O-Ring seal 5,28x 1,78 | 1.000 | ST | 0000000000 | 0000000000 |
| 60 | 6.362-451.0 | O-Ring seal 8,0 x 1,0 | 1.000 | ST | 0000000000 | 0000000000 |
| 70 | 7.401-909.0 | Sphere 7 G40 -1.4401 DIN 5401 | 1.000 | ST | 0000000000 | 0000000000 |



18

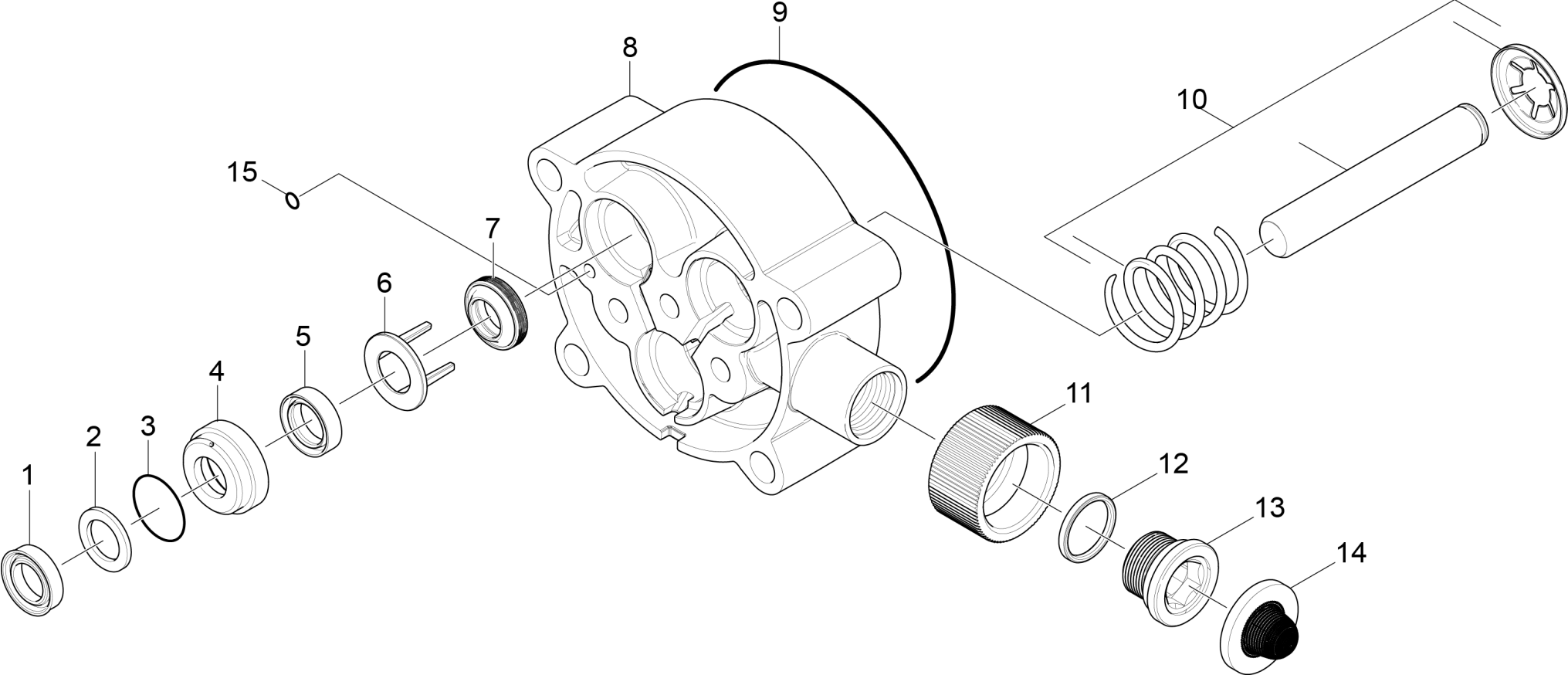
10 Drain plug only for replacement (4.132-007.0)

| Pos | Material # | Name | Qty. | Unit |
|-----|-------------|-----------------------------|-------|------|
| 18 | 6.362-458.0 | O-Ring seal 11,0x2,0-NBR 70 | 1.000 | ST |



11 Valve (3 Stück) (2.884-916.0)

| Pos | Material # | Name | Qty. | Unit |
|-----|-------------|-----------------------------|-------|------|
| 15 | 6.362-077.0 | O-Ring seal 10 x 2,2 NBR 70 | 1.000 | ST |

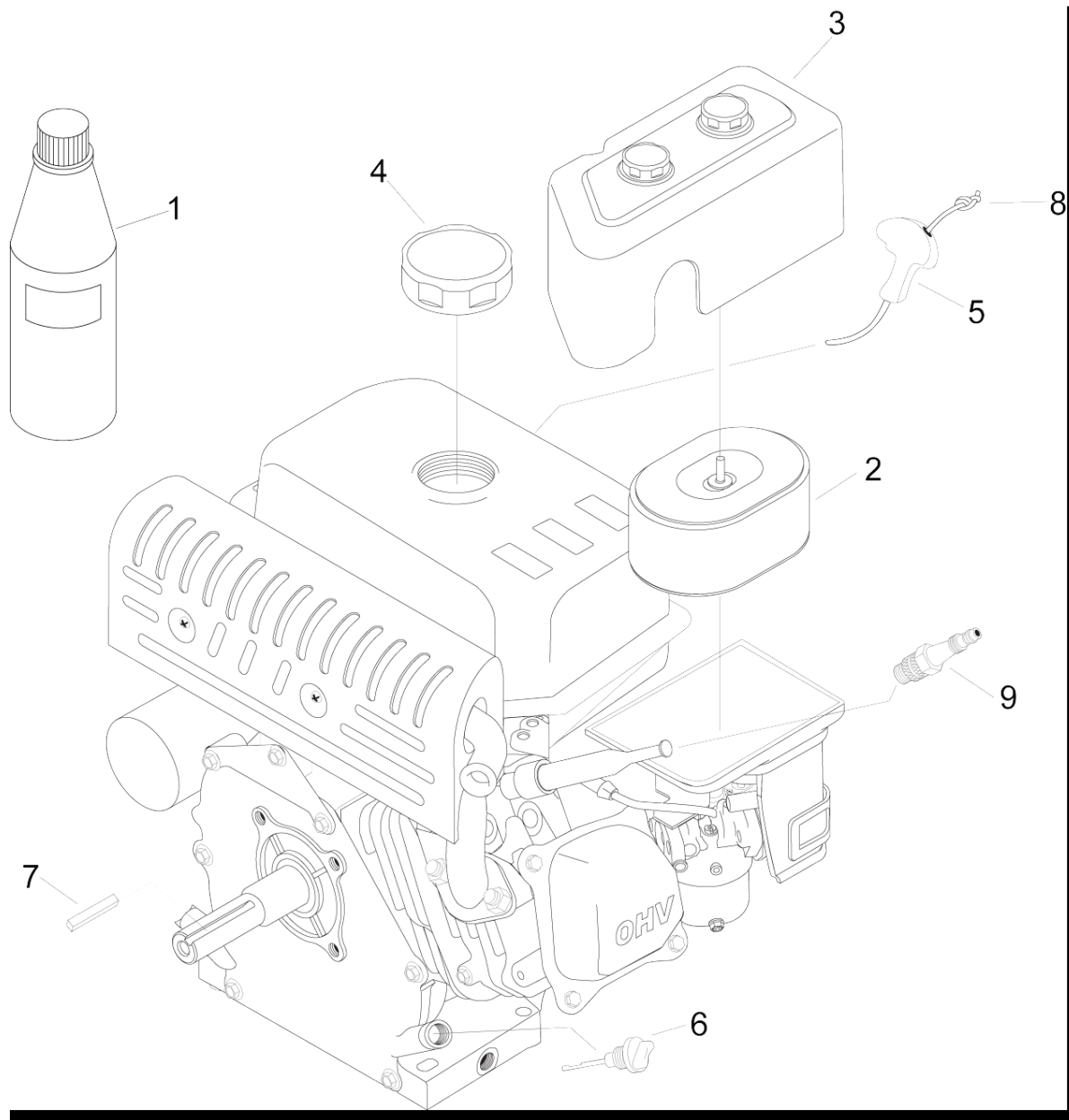


22 PISTON (8.921-431.0)

| ET/VT (spare/wear parts) | Pos | Material # | Name | Qty. | Unit | Footnote text |
|--------------------------|-----|-------------|-------------------------------------|-------|------|-------------------------------|
| X-X | 1 | 9.177-301.0 | HIGH PRESSURE SEAL | 3.000 | ST | ARTICLE ONLY AVAILABLE AT KNA |
| | 2 | 9.177-310.0 | BACK RING-HIGH PRESSURE SEAL- | 3.000 | ST | ARTICLE ONLY AVAILABLE AT KNA |
| X | 3 | 6.362-833.0 | O-Ring seal 21,5 x 1,78 | 3.000 | ST | ARTICLE ONLY AVAILABLE AT KNA |
| | 4 | 9.155-011.0 | HOUSING-LOW PRESSURE SEAL | 3.000 | ST | ARTICLE ONLY AVAILABLE AT KNA |
| | 5 | 6.363-058.0 | Grooved ring 12x18x5 (90Shore) | 3.000 | ST | ARTICLE ONLY AVAILABLE AT KNA |
| | 6 | 9.134-016.0 | SPACER-OIL SEAL & SEAL HSG. | 3.000 | ST | ARTICLE ONLY AVAILABLE AT KNA |
| | 7 | 6.365-393.0 | Oil sealing 12x20x4/6 | 3.000 | ST | ARTICLE ONLY AVAILABLE AT KNA |
| | 8 | 9.133-007.0 | Piston Guide-Machined | 1.000 | ST | ARTICLE ONLY AVAILABLE AT KNA |
| | 9 | 6.362-471.0 | O-Ring seal 80,0 X 3,0 -NBR 70 | 1.000 | ST | ARTICLE ONLY AVAILABLE AT KNA |
| | 10 | 9.139-370.0 | SPARE PART LIST PISTON 020/021 PUMP | 3.000 | ST | ARTICLE ONLY AVAILABLE AT KNA |
| | 11 | 9.155-013.0 | FEMALE HOSE CONNECTOR | 1.000 | ST | ARTICLE ONLY AVAILABLE AT KNA |
| | 12 | 6.362-390.0 | O-Ring seal 15,6 X 1,78 | 1.000 | ST | ARTICLE ONLY AVAILABLE AT KNA |
| | 13 | 9.134-019.0 | MALE ADAPTER | 1.000 | ST | ARTICLE ONLY AVAILABLE AT KNA |
| | 14 | 9.181-005.0 | FILTER SEAL-HOSE CONNECTOR- | 1.000 | ST | ARTICLE ONLY AVAILABLE AT KNA |
| | 15 | 6.363-626.0 | O-Ring seal 4,47x1,78 -NBR90 | 1.000 | ST | ARTICLE ONLY AVAILABLE AT KNA |

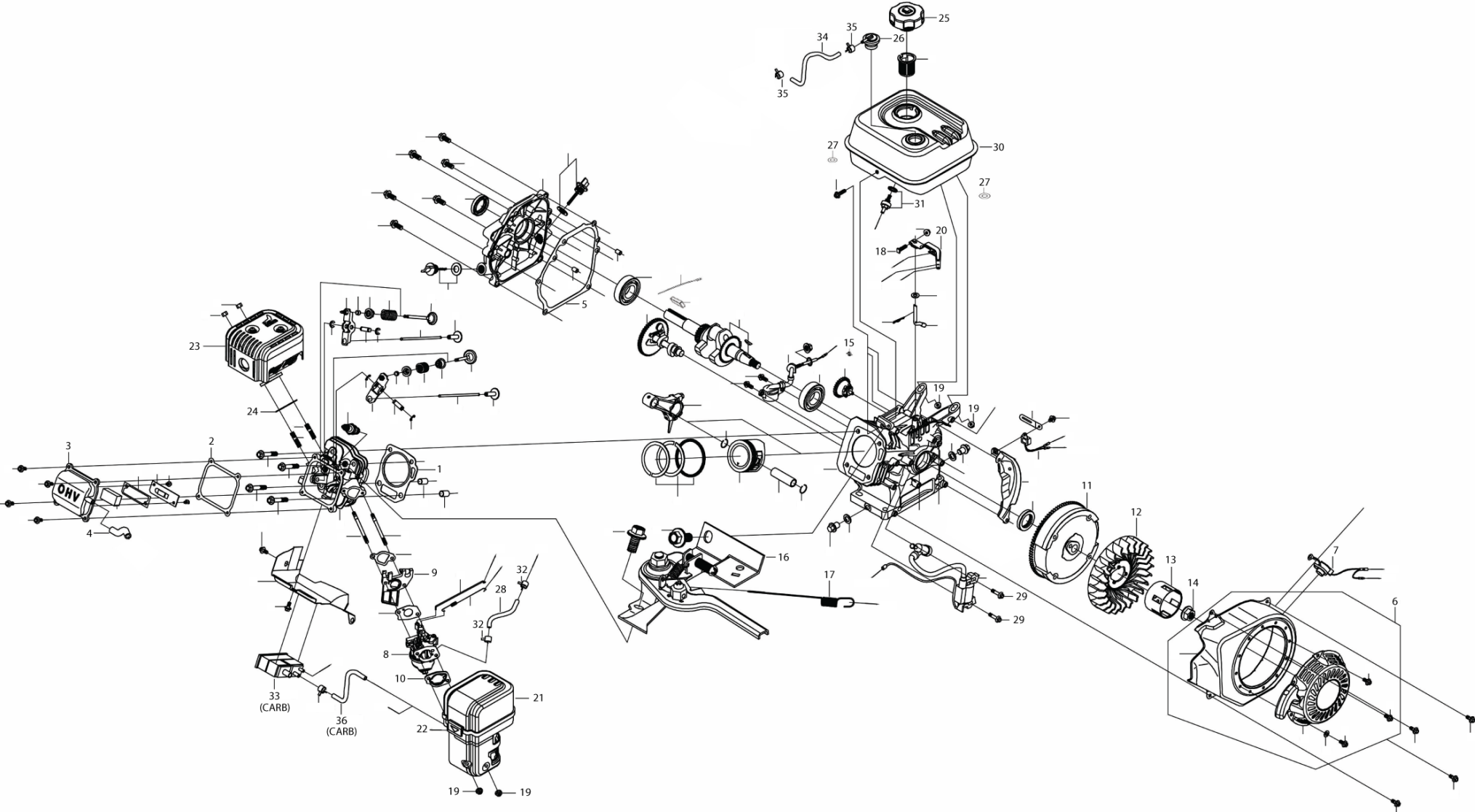
30 MOTOR (8.921-433.0)

| Pos | Name | Qty. | Unit | from ser.nr. | Footnote text |
|-----|--------------|-------|------|--------------|-------------------------------|
| 31 | MOTOR | 1.000 | ST | | ARTICLE ONLY AVAILABLE AT KNA |
| 32 | MOTOR | 1.000 | ST | 102977 | ARTICLE ONLY AVAILABLE AT KNA |
| 33 | TRANSMISSION | 1.000 | ST | | ARTICLE ONLY AVAILABLE AT KNA |



31 MOTOR

| Pos | Material # | Name | Qty. | Unit | var. information | Footnote text |
|-----|-------------|-------------------------------|-------|------|------------------|-------------------------------|
| 1 | 6.288-050.0 | Engine oil 1L | 1.000 | ST | EPA 2 | ARTICLE ONLY AVAILABLE AT KNA |
| 2 | 8.751-044.0 | Element assembly, air cleaner | 1.000 | ST | EPA 2 | ARTICLE ONLY AVAILABLE AT KNA |
| 3 | 8.751-043.0 | Cover, air cleaner | 1.000 | ST | EPA 2 | ARTICLE ONLY AVAILABLE AT KNA |
| 4 | 8.751-048.0 | Cap complete, fuel filler | 1.000 | ST | EPA 2 | ARTICLE ONLY AVAILABLE AT KNA |
| 5 | 8.751-030.0 | Knob, recoil starter | 1.000 | ST | EPA 2 | ARTICLE ONLY AVAILABLE AT KNA |
| 6 | 8.751-026.0 | Cap, Assembly | 1.000 | ST | EPA 2 | ARTICLE ONLY AVAILABLE AT KNA |
| 7 | 9.194-883.0 | Shaft key 3/16"SQx1.5" | 1.000 | ST | EPA 2 | ARTICLE ONLY AVAILABLE AT KNA |
| 8 | 8.751-029.0 | Rope | 1.000 | ST | EPA 2 | ARTICLE ONLY AVAILABLE AT KNA |
| 9 | 8.751-020.0 | Spark Plug | 1.000 | ST | EPA 2 | ARTICLE ONLY AVAILABLE AT KNA |

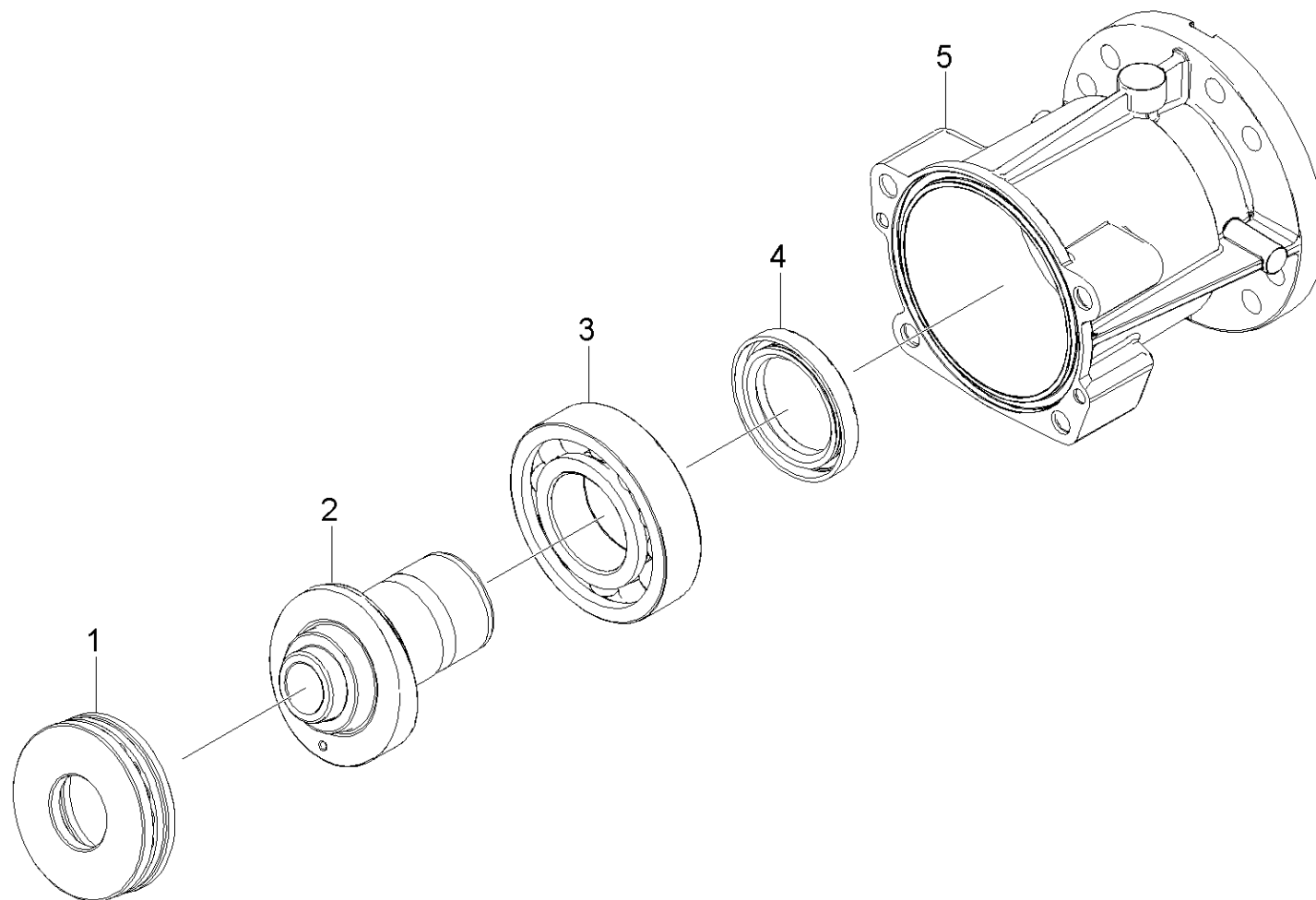


32 MOTOR

| Pos | Material # | Name | Qty. | Unit | Footnote text |
|-----|-------------|-------------------------------------|-------|------|-------------------------------|
| 1 | 8.753-618.0 | GASKET, CYLINDER, G200FA | 1.000 | ST | ARTICLE ONLY AVAILABLE AT KNA |
| 2 | 8.753-619.0 | PACKING, HEAD COVER, G200FA | 1.000 | ST | ARTICLE ONLY AVAILABLE AT KNA |
| 3 | 8.753-620.0 | COVER COMP., HEAD, G200FA | 1.000 | ST | ARTICLE ONLY AVAILABLE AT KNA |
| 4 | 8.753-621.0 | TUBE, BREATHER, G200FA | 1.000 | ST | ARTICLE ONLY AVAILABLE AT KNA |
| 5 | 8.753-622.0 | PACKING, CASE COVER, G200FA | 1.000 | ST | ARTICLE ONLY AVAILABLE AT KNA |
| 6 | 8.753-623.0 | RECOIL STARTER COMP. G200FA | 1.000 | ST | ARTICLE ONLY AVAILABLE AT KNA |
| 7 | 8.753-624.0 | SWITCH ASSY., ENGINE STOP, G200FA | 1.000 | ST | ARTICLE ONLY AVAILABLE AT KNA |
| 8 | 8.753-625.0 | CARBURETOR, G200FA | 1.000 | ST | ARTICLE ONLY AVAILABLE AT KNA |
| 9 | 8.753-626.0 | INSULATOR, CARBURETOR, G200FA | 1.000 | ST | ARTICLE ONLY AVAILABLE AT KNA |
| 10 | 8.753-627.0 | SPACER COMP., AIR CLEANER, G200FA | 1.000 | ST | ARTICLE ONLY AVAILABLE AT KNA |
| 11 | 8.753-628.0 | FLYWHEEL COMP., G200FA | 1.000 | ST | ARTICLE ONLY AVAILABLE AT KNA |
| 12 | 8.753-629.0 | FAN, COOLING, G200FA | 1.000 | ST | ARTICLE ONLY AVAILABLE AT KNA |
| 13 | 8.753-630.0 | PULLEY, STARTER, G200FA | 1.000 | ST | ARTICLE ONLY AVAILABLE AT KNA |
| 14 | 8.753-631.0 | NUT, SPECIAL, G200FA | 1.000 | ST | ARTICLE ONLY AVAILABLE AT KNA |
| 15 | 8.753-632.0 | CLIP, ONE WAY VALVE, G200FA | 1.000 | ST | ARTICLE ONLY AVAILABLE AT KNA |
| 16 | 8.753-633.0 | CONTROL ASSY, G200FA | 1.000 | ST | ARTICLE ONLY AVAILABLE AT KNA |
| 17 | 8.753-634.0 | SPRING, GOVERNOR, G200FA | 1.000 | ST | ARTICLE ONLY AVAILABLE AT KNA |
| 18 | 8.753-635.0 | BOLT, GOVERNOR ARM, M6 X 21, G200FA | 1.000 | ST | ARTICLE ONLY AVAILABLE AT KNA |
| 19 | 8.753-636.0 | NUT, FLANGE, G200FA | 1.000 | ST | ARTICLE ONLY AVAILABLE AT KNA |
| 20 | 8.753-637.0 | ARM, GOVERNOR, G200FA | 1.000 | ST | ARTICLE ONLY AVAILABLE AT KNA |
| 21 | 8.753-638.0 | AIR CLEANER ASSY, G200FA | 1.000 | ST | ARTICLE ONLY AVAILABLE AT KNA |
| 22 | 8.753-639.0 | ELEMENT ASSY, AIR CLEANER, G200FA | 1.000 | ST | ARTICLE ONLY AVAILABLE AT KNA |
| 23 | 8.753-640.0 | MUFFLER ASSY, G200FA | 1.000 | ST | ARTICLE ONLY AVAILABLE AT KNA |
| 24 | 8.753-641.0 | GASKET, MUFFLER, G200FA | 1.000 | ST | ARTICLE ONLY AVAILABLE AT KNA |
| 25 | 8.753-642.0 | CAP COMP., FUEL FILLER, G200FA | 1.000 | ST | ARTICLE ONLY AVAILABLE AT KNA |

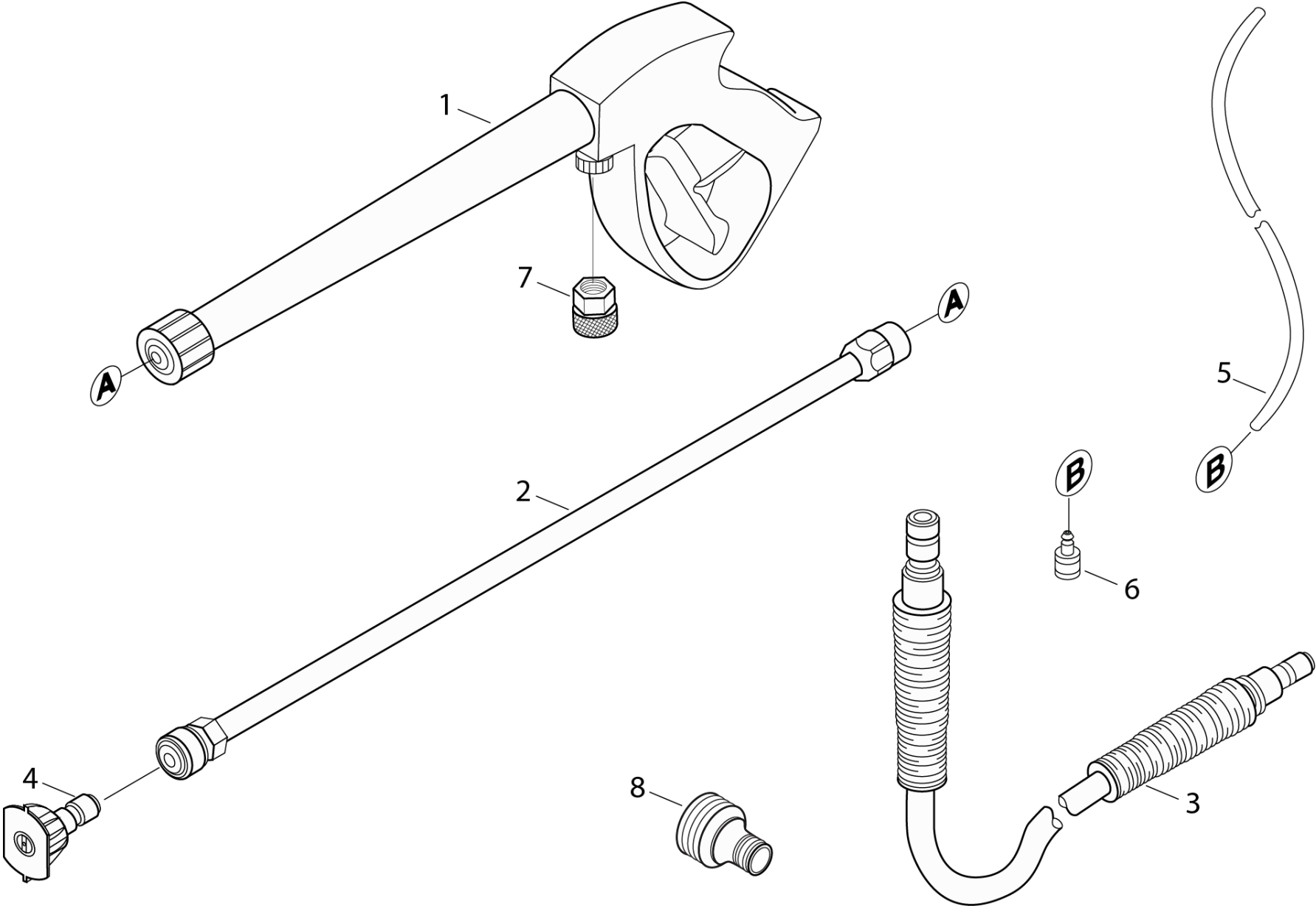
32 MOTOR

| Pos | Material # | Name | Qty. | Unit | Footnote text |
|-----|-------------|-------------------------------|-------|------|-------------------------------|
| 26 | 8.753-643.0 | GAS VALVE, FUEL TANK, G200FA | 1.000 | ST | ARTICLE ONLY AVAILABLE AT KNA |
| 27 | 8.753-644.0 | WASHER, RUBBER, G200FA | 2.000 | ST | ARTICLE ONLY AVAILABLE AT KNA |
| 28 | 8.753-645.0 | TUBE, FUEL, G200FA | 1.000 | ST | ARTICLE ONLY AVAILABLE AT KNA |
| 29 | 8.753-647.0 | BOLT, FLANGE, 6 X 25, G200FA | 1.000 | ST | ARTICLE ONLY AVAILABLE AT KNA |
| 30 | 8.753-648.0 | TANK COMP., FUEL, G200FA | 1.000 | ST | ARTICLE ONLY AVAILABLE AT KNA |
| 31 | 8.753-649.0 | JOINT ASSY, FUEL TANK, G200FA | 1.000 | ST | ARTICLE ONLY AVAILABLE AT KNA |
| 32 | 8.753-650.0 | LOOP, TUBE, G200FA | 2.000 | ST | ARTICLE ONLY AVAILABLE AT KNA |
| 33 | 8.753-651.0 | CARBON CANNISTER ASSY, G200FA | 1.000 | ST | ARTICLE ONLY AVAILABLE AT KNA |
| 34 | 8.753-652.0 | PIPE, G200FA | 1.000 | ST | ARTICLE ONLY AVAILABLE AT KNA |
| 35 | 8.753-653.0 | LOOP, TUBE, G200FA | 1.000 | ST | ARTICLE ONLY AVAILABLE AT KNA |
| 36 | 8.753-654.0 | PIPE, G200FA | 1.000 | ST | ARTICLE ONLY AVAILABLE AT KNA |



33 TRANSMISSION

| Pos | Material # | Name | Qty. | Unit |
|------------|-------------------|---------------------------------|-------------|-------------|
| 1 | 9.165-355.0 | GROOVED BALL BEARING | 1.000 | ST |
| 2 | 9.135-018.0 | Swash Plate Horizontal-Machined | 1.000 | ST |
| 3 | 9.165-356.0 | BALL BEARING NO. 6207 | 1.000 | ST |
| 4 | 9.177-314.0 | Radial Seal, 35x52x7 | 1.000 | ST |
| 5 | 9.135-016.0 | Oil Housing Vertical Machined | 1.000 | ST |



40 ACCESSORIES (8.921-265.0)

| Pos | Material # | Name | Qty. | Unit | var. information | Footnote text |
|-----|-------------|--------------------------------------|-------|------|-----------------------|-------------------------------|
| 1 | 9.112-012.0 | AL BIT101 TRIGGER GUN | 1.000 | ST | | |
| 2 | 9.112-533.0 | Lance-AL Quick Connect-Male 3000 psi | 1.000 | ST | | ARTICLE ONLY AVAILABLE AT KNA |
| 3 | 8.753-422.0 | HOSE, HP DN6 25FT, 3600PSI QD | 1.000 | ST | | ARTICLE ONLY AVAILABLE AT KNA |
| 4 | 9.104-016.0 | QUICK CONNECT NOZZLE KIT (0325) | 1.000 | ST | G2800XH/XC Model | ARTICLE ONLY AVAILABLE AT KNA |
| 4 | 8.751-356.0 | KIT, NOZZLE, QUICK DISCONNECT (035) | 1.000 | ST | G2600XH/XC Model | ARTICLE ONLY AVAILABLE AT KNA |
| 5 | 6.388-216.0 | Hose DN 5 | 1.000 | M | TO ORDER AS CUT GOODS | ARTICLE ONLY AVAILABLE AT KNA |
| 6 | 5.731-652.0 | Filter with weight | 1.000 | ST | | ARTICLE ONLY AVAILABLE AT KNA |
| 7 | 9.154-045.0 | Quick Connect | 2.000 | ST | | ARTICLE ONLY AVAILABLE AT KNA |